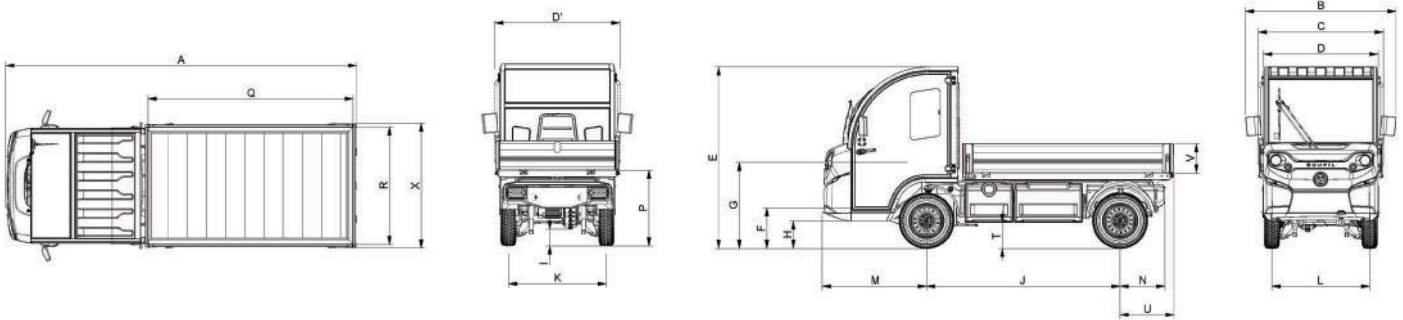



DIMENSIONS


DIMENSIONS	A	B	C	D*	D**	E	F	G	H	I	J	K	L	M	N	P	Q	R	T	U	V	X
mm	3,675	1,574	1,305	1,200	1,305	1,893	423	897	288	175	2,022	1,045	1,045	1,089	468	788	2,147	1,222	282	564	308	1,298

TECHNICAL OVERVIEW
CHASSIS | CAB

Homologation	N1
Maximum speed	50 km/h
External turning radius (kerb to kerb)	3,900 mm

G4 TIPPER

Battery type	Lead acid, 2 V traction cells			Lithium LiFePo4		
	Battery capacity	8.6 kWh	11.5 kWh	15.4 kWh	7 kWh	9 kWh
Charging time on household socket	8h30 @ 7 A	8h30 @ 10 A	9h45 @ 10 A	3h00 @ 13 A	4h15 @ 13 A	6h30 @ 13 A
Maximum permissible mass	2,100 kg	2,100 kg	2,100 kg	2,100 kg	2,100 kg	2,100 kg
Mass in running order	1,110 kg	1,203 kg	1,277 kg	892 kg	932 kg	976 kg
Payload capacity (passenger weight included - 75 kg)	915 kg	822 kg	748 kg	1,133 kg	1,093 kg	1,049 kg
Tow load capacity for road approved trailers (without brakes)	555 kg	602 kg	639 kg	446 kg	466 kg	488 kg
Tow load capacity for road approved trailers (with brakes)	1,400 kg	1,400 kg	1,400 kg	1,400 kg	1,400 kg	1,400 kg

G4 TIPPER DIMENSIONS

Length	2,147 mm
Width	1,222 mm
Height	308 mm
Weight of the equipment	127 kg
Loading area	2.6 m ²
Maximum tipping angle	47°
Load bed lifting time (empty)	12 seconds

CAGE BODY DIMENSIONS (OPTIONAL)

Mesh or solid cage body height	800 mm
Height with cage body	1,108 mm
Useful volume with cage body	2.9 m ³
Max height load bed raised with cage body	3,089 mm
Max height load bed raised without cage body	2,545 mm

STANDARD

- Reinforced aluminium load bed
- Aluminium dropdown and detachable side and rear gates
- Cab mounted tipper controller on wander lead
- Hydraulic cylinder including safety valve and stand (compliant with 3.5t standards)
- Hydraulic cylinder lifting capacity limited to 1,000 kg with spreading load

OPTIONS & ACCESSORIES

- Mesh or solid cage body
- Canvas on cage body
- Net on cage body
- 4 tiedown rings
- Watering system with 500 L tank
- High pressure washer with 500 L tank

