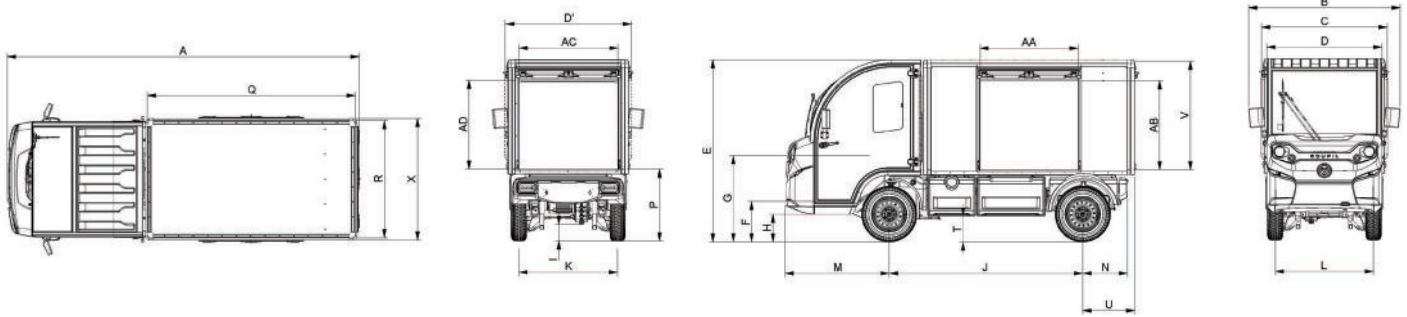



**DIMENSIONS**


DIMENSIONS	A	B	C	D*	D**	E	F	G	H	I	J	K	L	M	N	P	Q	R	T	U	V	X	AA	AB	AC	AD
mm	3,675	1,574	1,305	1,200	1,305	1,893	423	897	288	175	2,022	1,045	1,045	1,089	468	750	2,170	1,218	282	564	1,126	1,305	1,375	926	1,025	926

**TECHNICAL OVERVIEW**
**CHASSIS | CAB**

Homologation	N1
Maximum speed	50 km/h
External turning radius (kerb to kerb)	3,900 mm

**G4 BOX VAN**

Battery type	Lead acid, 2 V traction cells			Lithium LiFePo4		
	Battery capacity	8.6 kWh	11.5 kWh	15.4 kWh	7 kWh	9 kWh
Charging time on household socket	8h30 @ 7 A	8h30 @ 10 A	9h45 @ 10 A	3h00 @ 13 A	4h15 @ 13 A	6h30 @ 13 A
Maximum permissible mass	2,100 kg	2,100 kg	2,100 kg	2,100 kg	2,100 kg	2,100 kg
Mass in running order	1,181 kg	1,274 kg	1,348 kg	963 kg	1,003 kg	1,047 kg
Payload capacity (passenger weight included - 75 kg)	844 kg	751 kg	677 kg	1,062 kg	1,022 kg	978 kg
Tow load capacity for road approved trailers (without brakes)	591 kg	637 kg	674 kg	482 kg	502 kg	524 kg
Tow load capacity for road approved trailers (with brakes)	1,400 kg	1,400 kg	1,400 kg	1,400 kg	1,400 kg	1,400 kg

**G4 BOX VAN DIMENSIONS**

Length	2,170 mm
Width	1,218 mm
Height	1,126 mm
Weight of the equipment	198 kg
Loading area	3 m³

**REAR SHUTTER DIMENSIONS (OPTIONAL)**

Total added weight	24 kg
Maximum opening	Height: 926 mm   Width: 1,025 mm

**SIDE SHUTTER DIMENSIONS (OPTIONAL)**

Total added weight	23 kg
Maximum opening	Height: 926 mm   Width: 1,375 mm

**STANDARD**

- Box van with a useful capacity of 3 m³ actually exploitable (cubical internal volume, square corners, no wheel arches)
- Loading height: 80 cm

**OPTIONS & ACCESSORIES**

- Side and rear shutters
- Roof bar
- Work light
- Interior ceiling light
- Shelves
- Central locking